

A modern kitchen featuring dark wood cabinetry, a white marble island with a white countertop, and a white refrigerator. The kitchen includes a double oven, a sink, and a window with a view of a landscape. A chandelier with multiple light bulbs hangs over the island. The text "APPLIANCE PACKAGES" is overlaid in large, bold, black letters.

APPLIANCE PACKAGES

Visionary Homes Design

Package 1 Electric Stainless



GE® 30" Free-Standing Electric Range
JB645RKSS

FEATURES

- **Ceramic glass cooktop**
Smooth cooktop easily wipes clean
- **Removable full-width storage drawer**
Store cookware or kitchen accessories
- **5.3 cu. ft. oven capacity**
Enough room to cook an entire meal at once

Approx. Product Dimensions (WxHxD) (in.)
29 7/8 in x 47 in x 28 in



GE® 1.6 Cu. Ft. Over-the-Range Microwave Oven with Recirculating Venting
JNM3163RJSS

FEATURES

- **1.6 cu. ft. capacity**
950 Watts (IEC-705 test procedure)
- **Convenience cooking controls**
Operating made quick and easy
- **Auto and time defrost**
Defrosting times and power levels are programmed automatically or manually for optimal results
- **Turntable On/Off**
Controls turntable operation
- **Two-speed, 300-CFM venting system**
Removes smoke, steam and odors

Approx. Product Dimensions (WxHxD) (in.)
29 7/8 in x 16 7/16 in x 15 7/8 in



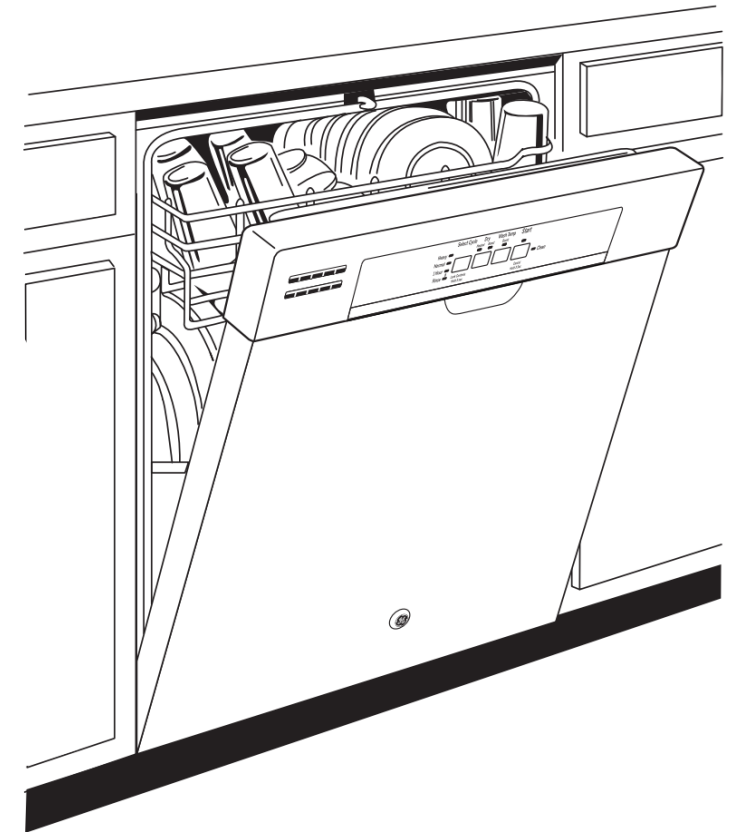
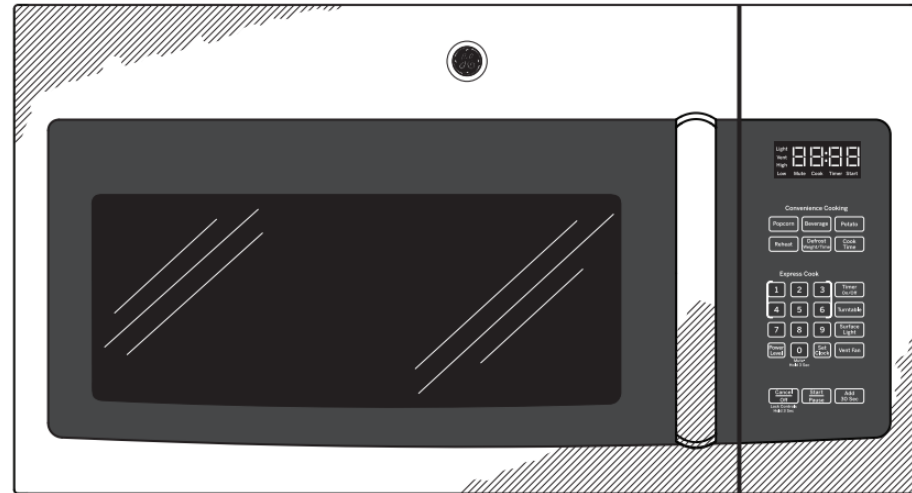
GE® Dishwasher with Front Controls
GDF510PSMSS

FEATURES

- **Automatic Hot Start**
Provides optimal water temperature for dependable performance
- **Cabinet Depth Flush Install**
Achieving an attractive, flush appearance that complements and blends in with cabinetry is possible with a unique design that doesn't reduce rack capacity
- **Built Up Floor Capable**
Installation over built-up floors is simple with the ability to adjust the dishwasher height to 33-3/8" - 34-5/8"
- **Heavy Wash**
Great for heavily soiled dishes and cookware
•59 dBA

Approx. Product Dimensions (WxHxD) (in.)
23 3/4 in x 34 in x 24 in

Package 1 Electric Stainless



Package 1 Gas Stainless



GE® 30" Free-Standing Gas Range
JGB660SEJSS

FEATURES

•**Self-clean oven**

Cleans the oven cavity without the need for scrubbing

•**5.0 cu. ft. oven capacity**

Cook more dishes at once

•**Heavy duty, dishwasher safe grates**

Easily and safely clean grates in the dishwasher or place in the bottom of the self-clean oven

Approx. Product Dimensions (WxHxD) (in.)
30 in x 47 1/4 in x 28 3/4 in



GE® 1.6 Cu. Ft. Over-the-Range Microwave Oven with Recirculating Venting
JNM3163RJSS

FEATURES

•**1.6 cu. ft. capacity**

950 Watts (IEC-705 test procedure)

•**Convenience cooking controls**

Operating made quick and easy

•**Auto and time defrost**

Defrosting times and power levels are programmed automatically or manually for optimal results

•**Turntable On/Off**

Controls turntable operation

•**Two-speed, 300-CFM venting system**

Removes smoke, steam and odors

Approx. Product Dimensions (WxHxD) (in.)
29 7/8 in x 16 7/16 in x 15 7/8 in



GE® Dishwasher with Front Controls
GDF510PSMSS

FEATURES

•**Automatic Hot Start**

Provides optimal water temperature for dependable performance

•**Cabinet Depth Flush Install**

Achieving an attractive, flush appearance that complements and blends in with cabinetry is possible with a unique design that doesn't reduce rack capacity

•**Built Up Floor Capable**

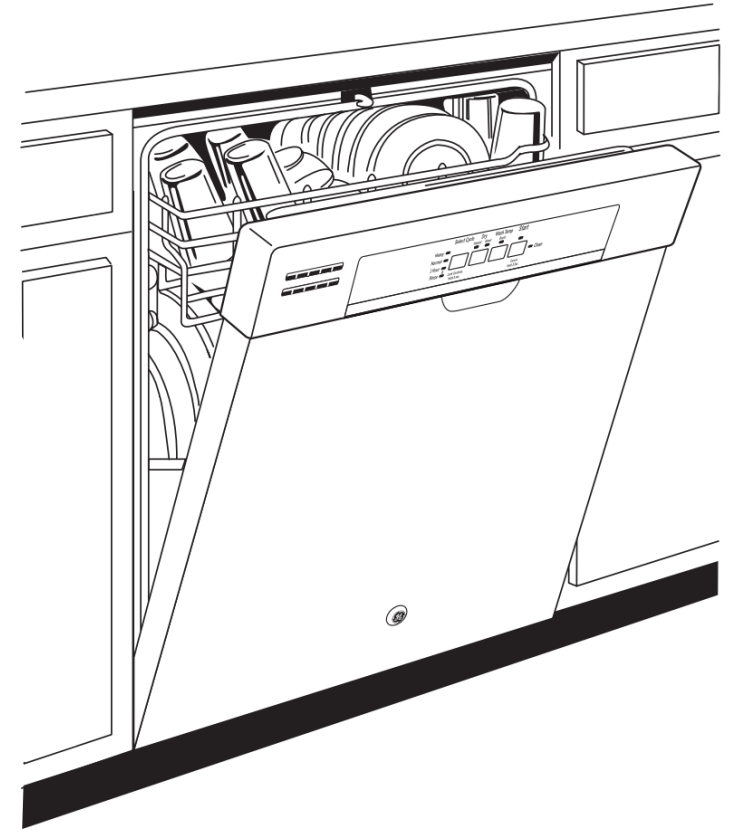
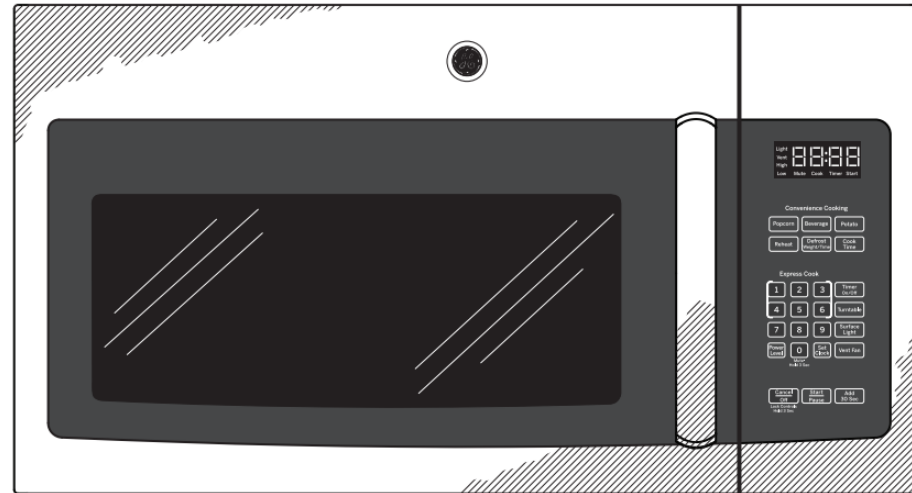
Installation over built-up floors is simple with the ability to adjust the dishwasher height to 33-3/8" - 34-5/8"

•**Heavy Wash**

Great for heavily soiled dishes and cookware
•59 dBA

Approx. Product Dimensions (WxHxD) (in.)
23 3/4 in x 34 in x 24 in

Package 1 Gas Stainless



Package 2 Electric Stainless



GE® 30" Free-Standing Electric Convection Range
JB750SJSS

FEATURES

- **Self-clean with Steam Clean option**
Clean your oven the way you want
- **Hidden bake oven interior**
Make cleanup easy by eliminating hard-to-reach areas
- **Black gloss oven interior**
Enjoy a clean and sleek appearance

Approx. Product Dimensions (WxHxD) (in.)
29 7/8 in x 47 in x 28 in



GE® 1.7 Cu. Ft. Over-the-Range Sensor Microwave Oven
JVM6175SKSS

FEATURES

- **1.7 cu. ft. capacity**
1000 Watts (IEC-705 test procedure)
- **"Add 30 seconds" button**
Add 30 seconds of microwave cooking time
- **Two-speed, 300-CFM venting system**
Removes smoke, steam and odors
- **Upfront charcoal filter with indicator light**
Light indicates when odor-removing charcoal filter needs to be replaced

Approx. Product Dimensions (WxHxD) (in.)
29 7/8 in x 16 1/2 in x 15 in



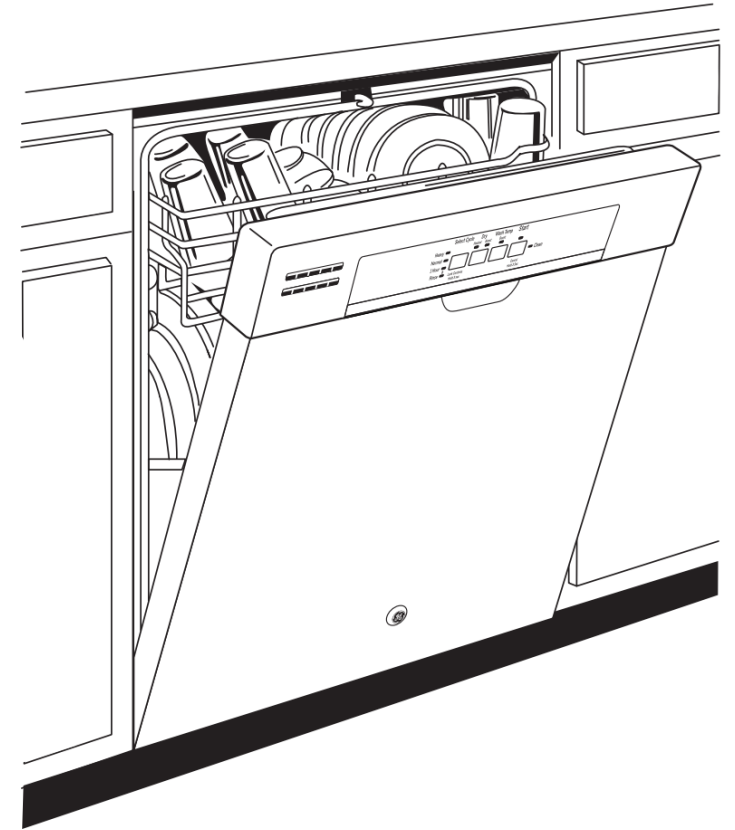
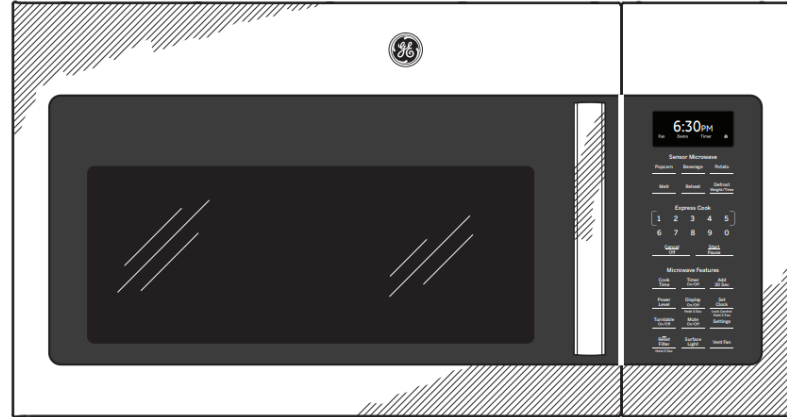
GE® Dishwasher with Front Controls
GDF530PSMSS

FEATURES

- **Automatic Hot Start**
Provides optimal water temperature for dependable performance
- **Cabinet Depth Flush Install**
Achieving an attractive, flush appearance that complements and blends in with cabinetry is possible with a unique design that doesn't reduce rack capacity
- **Built Up Floor Capable**
Installation over built-up floors is simple with the ability to adjust the dishwasher height to 33-3/8" - 34-5/8"
- **Heavy Wash**
Great for heavily soiled dishes and cookware
- 59 dBA

Approx. Product Dimensions (WxHxD) (in.)
23 3/4 in x 34 in x 24 in

Package 2 Electric Stainless



Package 2 Gas Stainless



GE® 30" Free-Standing Gas Convection Range
JGB700SEJSS

FEATURES

• **Gas convection oven**

Circulates heat for high-quality results

• **Center oval burner**

Large oval fifth burner is ideal for griddle cooking

• **Heavy duty, dishwasher safe grates**

Easily and safely clean grates in the dishwasher or place in the bottom of the self-clean oven

• **5.0 cu. ft. oven capacity**

Cook more dishes at once

Approx. Product Dimensions (WxHxD) (in.)

30 in x 47 1/4 in x 28 3/4 in



GE® 1.7 Cu. Ft. Over-the-Range Sensor Microwave Oven
JVM6175SKSS

FEATURES

• **1.7 cu. ft. capacity**

1000 Watts (IEC-705 test procedure)

• **"Add 30 seconds" button**

Add 30 seconds of microwave cooking time

• **Two-speed, 300-CFM venting system**

Removes smoke, steam and odors

• **Upfront charcoal filter with indicator light**

Light indicates when odor-removing charcoal filter needs to be replaced

Approx. Product Dimensions (WxHxD) (in.)

29 7/8 in x 16 1/2 in x 15 in



GE® Dishwasher with Front Controls
GDF530PSMSS

FEATURES

• **Automatic Hot Start**

Provides optimal water temperature for dependable performance

• **Cabinet Depth Flush Install**

Achieving an attractive, flush appearance that complements and blends in with cabinetry is possible with a unique design that doesn't reduce rack capacity

• **Built Up Floor Capable**

Installation over built-up floors is simple with the ability to adjust the dishwasher height to 33-3/8" - 34-5/8"

• **Heavy Wash**

Great for heavily soiled dishes and cookware

• 59 dBA

Approx. Product Dimensions (WxHxD) (in.)

23 3/4 in x 34 in x 24 in

Package 3 Electric Stainless



GE® 30" Free-Standing Electric Double Oven Convection Range

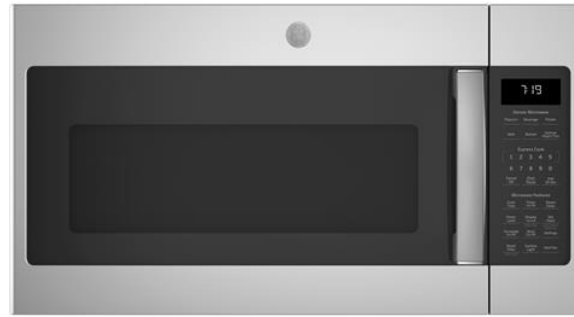
JB860SJSS

FEATURES

- **True European Convection with Precise Air**
Enjoy perfectly even results without turning the pan
- **Dual-element Bake**
Upper and lower elements produce even heat and great results
- **6.6 cu. ft. total oven capacity**
Large capacity is ideal for big meals

Approx. Product Dimensions (WxHxD) (in.)

29 7/8 in x 47 in x 28 1/4 in



GE® 1.9 Cu. Ft. Over-the-Range Sensor Microwave Oven with Recirculating Venting

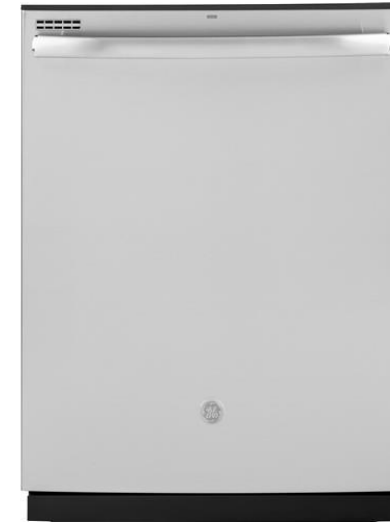
JNM7196SKSS

FEATURES

- **1.9 cu. ft. capacity**
1000 Watts (IEC-705 test procedure)
- **Weight and time defrost**
Simply enter the weight of the food, and the oven automatically sets the optimal defrosting time and power level or set your desired time for defrosting
- **Upfront charcoal filter with indicator light**
Light indicates when odor-removing charcoal filter needs to be replaced
- **Four-speed, 400-CFM venting fan system**
Quickly removes smoke, steam and odors from the cooktop to keep kitchen air fresh and clean
- **Recessed turntable with on/off**
Controls turntable operation

Approx. Product Dimensions (WxHxD) (in.)

29 3/4 in x 16 1/2 in x 15 1/2 in



GE® Dishwasher with Hidden Controls

GDT535PMSS

FEATURES

- **Three-level 600 Series Wash System**
Get full wash coverage from three pressurized wash zones.
- **Dedicated Silverware Jets**
Get table-ready silverware thanks to powerful jets that focus on silverware baskets
- **Piranha Hard Food Disposer**
To ensure consistently clean items, this stainless steel blade rotates at 3,600 RPM to pulverize food particles and helps to prevent large particles from clogging the wash arms
- **Adjustable Upper Rack**
Fitting plates up to 10½" and other tall items in the upper rack is possible with an adjustment
- **1 Hr Wash**
Enjoy a quality clean when you're short on time

Approx. Product Dimensions (WxHxD) (in.)

23 3/4 in x 34 in x 24 in

Package 3 Gas Stainless

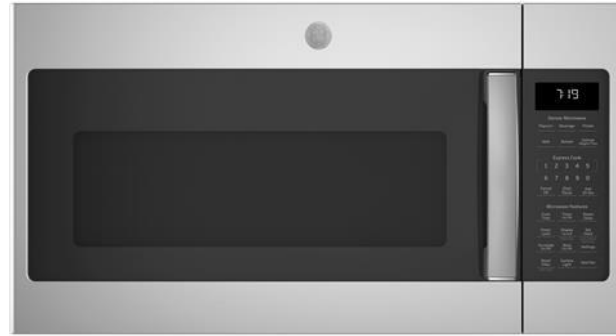


GE® 30" Free-Standing Gas Double Oven Convection Range
JGB860SEJSS

FEATURES

- **Gas convection oven (lower oven)**
Circulates heat for high-quality results
- **Double oven 6.8 cu. ft. total capacity**
Large capacity is ideal for big meals
- **Self-clean with Steam Clean option**
Clean your oven the way you want
- **Precise Simmer burner**
Delicate foods don't burn with low, even heat
- **Heavy duty, dishwasher safe grates**
Easily and safely clean grates in the dishwasher or place in the bottom of the self-clean oven

Approx. Product Dimensions (WxHxD) (in.)
30 in x 47 1/4 in x 29 1/4 in

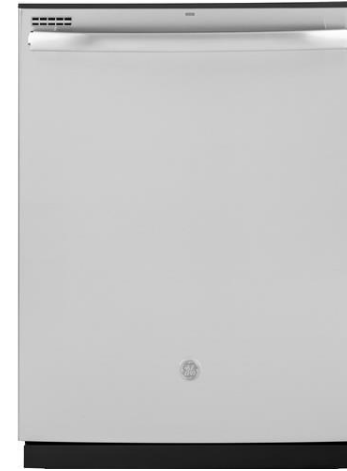


GE® 1.9 Cu. Ft. Over-the-Range Sensor Microwave Oven with Recirculating Venting
JNM7196SKSS

FEATURES

- **1.9 cu. ft. capacity**
1000 Watts (IEC-705 test procedure)
- **Weight and time defrost**
Simply enter the weight of the food, and the oven automatically sets the optimal defrosting time and power level or set your desired time for defrosting
- **Upfront charcoal filter with indicator light**
Light indicates when odor-removing charcoal filter needs to be replaced
- **Four-speed, 400-CFM venting fan system**
Quickly removes smoke, steam and odors from the cooktop to keep kitchen air fresh and clean
- **Recessed turntable with on/off**
Controls turntable operation

Approx. Product Dimensions (WxHxD) (in.)
29 3/4 in x 16 1/2 in x 15 1/2 in



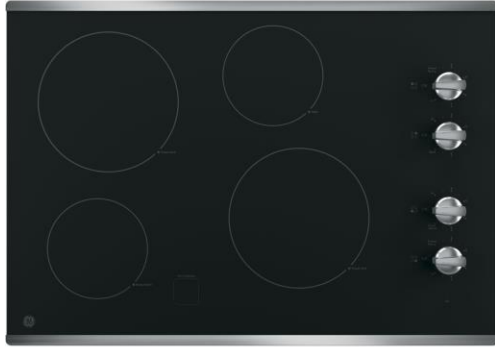
GE® Dishwasher with Hidden Controls
GDT535PSMSS

FEATURES

- **Dedicated Silverware Jets**
Get table-ready silverware thanks to powerful jets that focus on silverware baskets
- **Sanitize Cycle**
High-temperature rinse sanitizes and reduces 99.999% of bacteria found on dishes
- **Automatic Hot Start**
Provides optimal water temperature for dependable performance
- **Cabinet Depth Flush Install**
Achieving an attractive, flush appearance that complements and blends in with cabinetry is possible with a unique design that doesn't reduce rack capacity
- **Built Up Floor Capable**
Installation over built-up floors is simple with the ability to adjust the dishwasher height to 33-3/8" - 34-5/8"

Approx. Product Dimensions (WxHxD) (in.)
23 3/4 in x 34 in x 24 in

Package 4 Electric Stainless



GE® 30" Built-In Knob Control Electric Cooktop
JP3030SJSS

FEATURES

•Keep Warm setting

Keep food warm with GE's lowest heat setting or boil water in minutes with this fully functional 6" element

•Melt setting

Gently melt delicate foods without burning or scorching

•Power Boil

Get rapid heat from these 2 powerful 8" 2,500-watt elements

•Hot surface indicator lights

Know when elements are too hot to touch with a quick glance

•Cooktop "On" indicator light

A light lets you know when an element is active

Approx. Product Dimensions (WxHxD) (in.)

29 7/8 in x 4 in x 21 in



GE® 30" Built-In Double Wall Oven
JTD3000SNSS

FEATURES

•Glass touch controls

Set temperatures quickly and clean with little effort

•10-pass hidden bake element

Even baking and quick cleanup are assured, with 10-pass element that heats a large cooking area and is hidden for an easy-to-wipe surface

•8-pass broil element

Get full broil coverage and even browning from edge to edge

Approx. Product Dimensions (WxHxD) (in.)

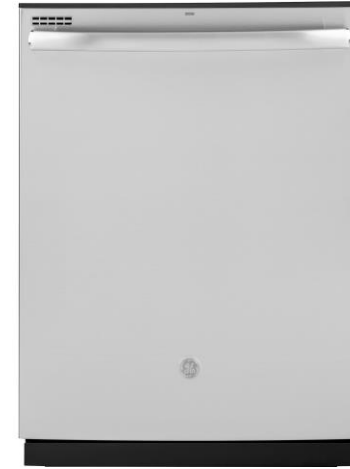
29 3/4 in x 53 in x 26 3/4 in



PEB7227 with Trim Kit 30" JX230
24" GE Built In Microwave Recirculating

Built In Sensor Microwave Oven with 2.2 cu. ft. Capacity, Weight and Time Defrost, Extra-Large 16" Turntable, and Control Lockout

*All gourmet kitchens (Packages 4-9) require a microwave with trim kit built-in above the double ovens.



GE® Dishwasher with Hidden Controls
GDT535PSMSS

FEATURES

•Dedicated Silverware Jets

Get table-ready silverware thanks to powerful jets that focus on silverware baskets

•Sanitize Cycle

High-temperature rinse sanitizes and reduces 99.999% of bacteria found on dishes

•Automatic Hot Start

Provides optimal water temperature for dependable performance

•Cabinet Depth Flush Install

Achieving an attractive, flush appearance that complements and blends in with cabinetry is possible with a unique design that doesn't reduce rack capacity

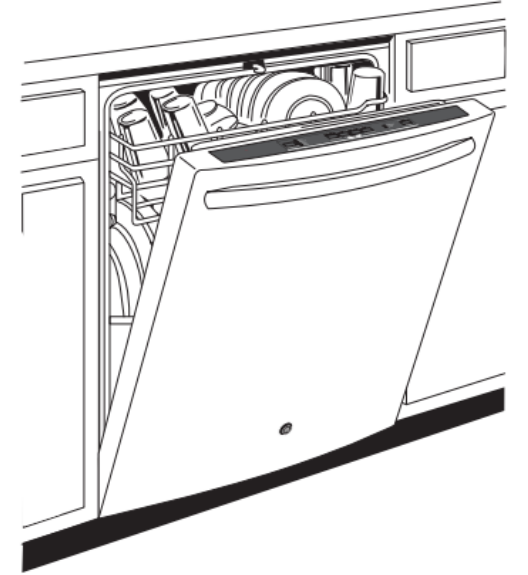
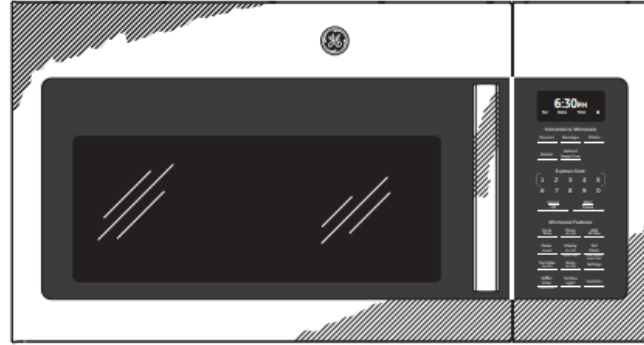
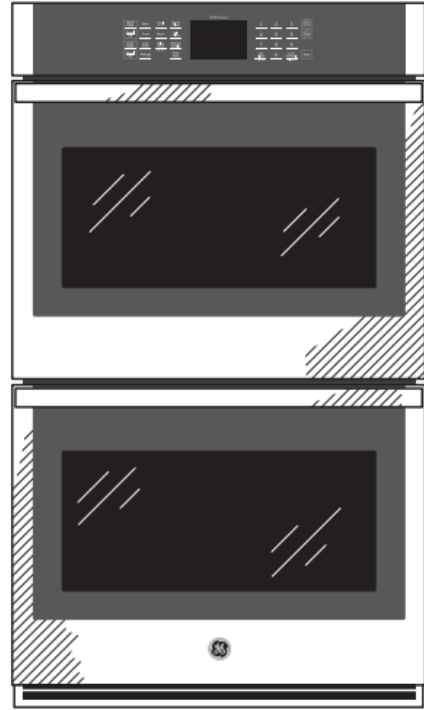
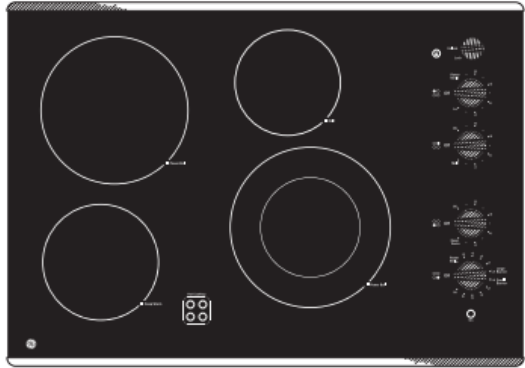
•Built Up Floor Capable

Installation over built-up floors is simple with the ability to adjust the dishwasher height to 33-3/8" - 34-5/8"

Approx. Product Dimensions (WxHxD) (in.)

23 3/4 in x 34 in x 24 in

Package 4 Electric Stainless



Package 4 Gas Stainless



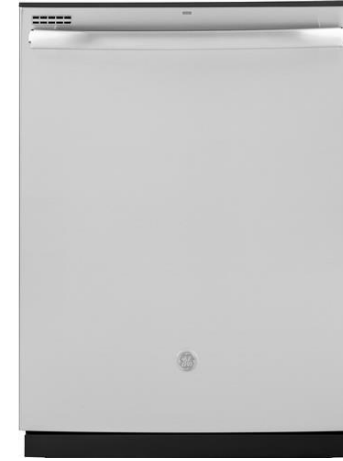
GE® 30" Built-In Gas Cooktop
JGP5030SLSS



GE® 30" Built-In Double Wall Oven
JTD3000SNSS



PEB7227 with Trim Kit 30" JX230
24" GE Built In Microwave Recirculating



GE® Dishwasher with Hidden Controls
GDT535PSMSS

FEATURES

- **Precise Simmer burner**
Delicate foods don't burn with low, even heat
- **Sealed cooktop burners**
Contains spills and make cleaning quick and easy
- **Heavy-duty, dishwasher-safe grates**
Easily and safely clean grates in the dishwasher
- **MAX burner system**
Delivers the same maximum BTU power to propane and natural gas cooktops

Approx. Product Dimensions (WxHxD) (in.)
30 in x 5 1/2 in x 21 in

FEATURES

- **Glass touch controls**
Set temperatures quickly and clean with little effort
- **10-pass hidden bake element**
Even baking and quick cleanup are assured, with 10-pass element that heats a large cooking area and is hidden for an easy-to-wipe surface
- **8-pass broil element**
Get full broil coverage and even browning from edge to edge

Approx. Product Dimensions (WxHxD) (in.)
29 3/4 in x 53 in x 26 3/4 in

Built In Sensor Microwave Oven with 2.2 cu. ft. Capacity, Weight and Time Defrost, Extra-Large 16" Turntable, and Control Lockout

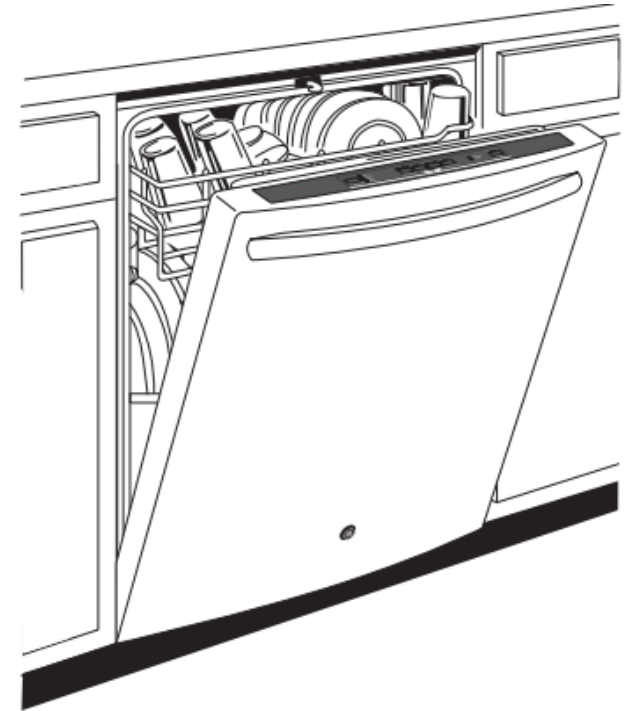
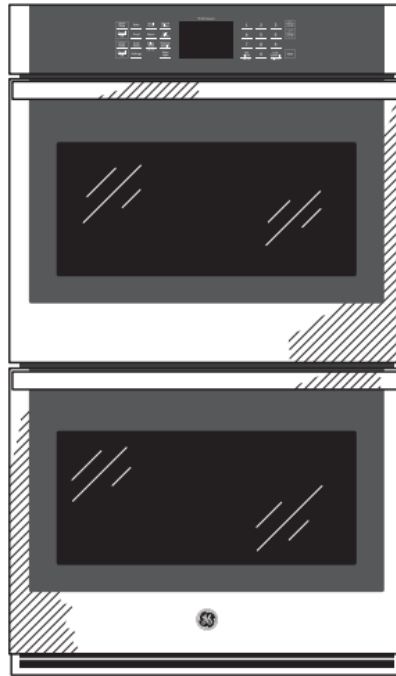
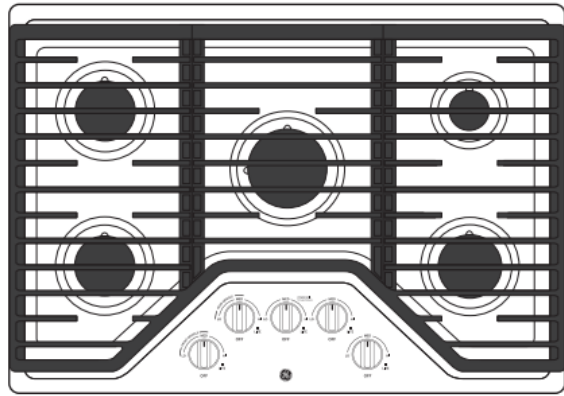
*All gourmet kitchens (Packages 4-9) require a microwave with trim kit built-in above the double ovens.

FEATURES

- **Dedicated Silverware Jets**
Get table-ready silverware thanks to powerful jets that focus on silverware baskets
- **Sanitize Cycle**
High-temperature rinse sanitizes and reduces 99.999% of bacteria found on dishes
- **Automatic Hot Start**
Provides optimal water temperature for dependable performance
- **Cabinet Depth Flush Install**
Achieving an attractive, flush appearance that complements and blends in with cabinetry is possible with a unique design that doesn't reduce rack capacity
- **Built Up Floor Capable**
Installation over built-up floors is simple with the ability to adjust the dishwasher height to 33-3/8" - 34-5/8"

Approx. Product Dimensions (WxHxD) (in.)
23 3/4 in x 34 in x 24 in

Package 4 Gas Stainless



Package 9 Café Electric Stainless



Café™ 30" Knob-Control Electric Cooktop
CEP70302MS1

FEATURES

- **Cook more food. Entertain more possibilities.**

Prepare more at the same time with five radiant cooking elements that deliver rapid, consistent heat

- **More heat for more space**

Evenly heat large cookware like griddles or dutch ovens by controlling two 7" synchronized elements with just the touch of a button

- **Smart design adds style and functionality**

Take your design to the next level with white LED backlit knob lighting with beveled edge black glass surface

Approx. Product Dimensions (WxHxD) (in.)
30 in X 6 in x 21 in



Café™ 30" Smart Double Wall Oven with Convection
CTD70DP2NS1

FEATURES

- **Precision is the name of your cooking game**

Confidently try new recipes and perfectly execute your favorites, using a smart system that automatically tracks progress, modifies temperatures and adjusts cook times

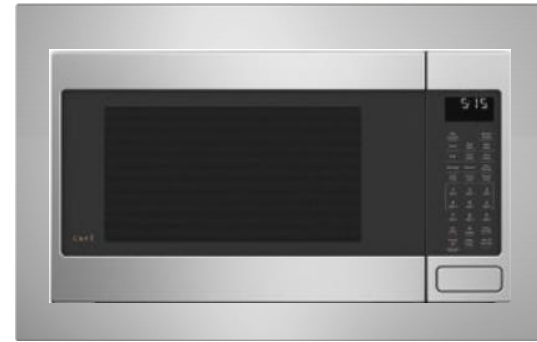
- **Brighten up life in the kitchen**

Easily navigate wall oven settings using a stunning full color display that adds an unexpected touch of style to your kitchen

- **The perfect bake is now perfectly easy**

Achieve unrivaled performance with the only system that delivers top-down true convection for consistent results on special occasion favorites like roasts, chicken, turkey and more

Approx. Product Dimensions (WxHxD) (in.)
30 in x 53 in x 26 ¾ in



CAFÉ BUILT IN MICROWAVE – Stainless Steel
CEB515P 21" Café Built-In Microwave with 30" Trim Kit CX153P

*All gourmet kitchens (Packages 4-9) require a microwave with trim kit built-in above the double ovens.

Approx. Product Dimensions (WxHxD) (in.)
Cavity 15-½"W x 10-7/8"H x 15-½"D Paired with 30"W Trim Kit



Café™ Stainless Interior Built-In Dishwasher with Hidden Controls
CDT845P2NS1

Ultra-Wash & Dry—Unload sparkling clean, table-ready dishes thanks to our 90+ cleaning jets and an Ultra-Dry system that deliver excellent results

Loading Flexibility—Load the dishes your way: Our lower wash arm provides excellent coverage for the largest of loads. The fold down tines accommodate wide or oddly shaped items and our third rack provides extra space for your silverware and kitchen utensils

Adjustable Upper Racks—You'll have room for your finest stemware and space for tall bakeware with a rack that can be moved two inches up or down, creating ultimate loading flexibility

Wash Zones—Save time and use less water when you don't have a full dish load with a fully customizable cycle that lets you wash a true half load in the upper or lower rack

Steam + Sani - Eliminate the need to pre-wash dishes at the end of every meal, thanks to a Steam + Sani feature that easily loosens lingering traces of food with an added bonus of complete sanitization

Create a look that matches your personal style—Select any combination of premium finishes and hardware options to create a stunning look customized to any owner's taste

Approx. Product Dimensions (WxHxD) (in.)
34 in x 24 in x 24 in

Package 9 Café Gas Stainless



Café™ 30" Gas Cooktop
CGP70302NS1

FEATURES

- **Versatile burner complements every cooking style**
Sear, fry and sautee on a 20,000 BTU triple ring burner
- **Stylish knobs show when burners are on**
Give your kitchen a little glimmer with white LED knob lighting

Approx. Product Dimensions (WxHxD) (in.)
30 in X 5 1/2 in x 21 in



Café™ 30" Smart Double Wall Oven with Convection
CTD70DP2NS1

FEATURES

- **Precision is the name of your cooking game**
Confidently try new recipes and perfectly execute your favorites, using a smart system that automatically tracks progress, modifies temperatures and adjusts cook times
- **Brighten up life in the kitchen**
Easily navigate wall oven settings using a stunning full color display that adds an unexpected touch of style to your kitchen
- **The perfect bake is now perfectly easy**
Achieve unrivaled performance with the only system that delivers top-down true convection for consistent results on special occasion favorites like roasts, chicken, turkey and more

Approx. Product Dimensions (WxHxD) (in.)
30 in X 53 in x 27 in



CAFÉ BUILT IN MICROWAVE – Stainless Steel

CEB515P 21" Café Built-In Microwave with 30" Trim Kit
CX153P

*All gourmet kitchens (Packages 4-9) require a microwave with trim kit built-in above the double ovens.

Approx. Product Dimensions (WxHxD) (in.)

Cavity 15-½"W x 10-7/8"H x 15-½"D Paired with 30"W Trim Kit



Café™ Stainless Interior Built-In Dishwasher with Hidden Controls
CDT845P2NS1

FEATURES

- **Ultra-Wash & Dry**
Unload sparkling clean, table-ready dishes thanks to our 90+ cleaning jets and an Ultra-Dry system that deliver excellent results
- **Loading Flexibility**
Load the dishes your way: Our lower wash arm provides excellent coverage for the largest of loads. The fold down tines accommodate wide or oddly shaped items and our third rack provides extra space for your silverware and kitchen utensils
- **Adjustable Upper Racks**
You'll have room for your finest stemware and space for tall bakeware with a rack that can be moved two inches up or down, creating ultimate loading flexibility

Approx. Product Dimensions (WxHxD) (in.)
24 in X 34 in x 24 in



RANGE HOODS

Cabinet Grade Hoods



CLASSIC BOX HOOD



ANGLED WOOD HOOD



SHIPLAP BOX HOOD

PYRAMID VENT HOODS 30"



GE® 30" Wall-Mount Pyramid Chimney Hood
JVV5301SJSS

FEATURES

•Night light

Keep a dim light on for visibility at all hours

•Convertible venting options

Select recirculating or external venting

•Optional remote control (JXRC70)

Control your ventilation lighting and fan speed from anywhere in the kitchen

•Auto-off

Set the vent hood to automatically shut off after 15 minutes

•Dishwasher safe filter

Filters grease and is dishwasher-safe

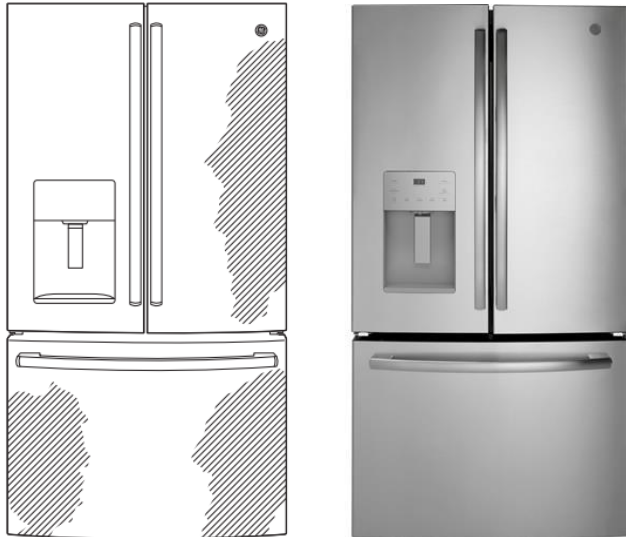
Approx. Product Dimensions (WxHxD) (in.)

30 in x 9 7/8 in x 18 1/2 in



REFRIGERATORS

Refrigerators: FP Stainless



GE® ENERGY STAR® 25.6 Cu. Ft. French-Door Refrigerator

GFE26JYMFS

FEATURES

- **Color-matched external ice and water dispenser**

Fills tall bottles, stores and makes ice on the door, saving space

- **Full-width deli drawer**

Allows party trays and larger items to fit easily and remain at the ideal temperature

- **Quick Space shelf**

Quickly slides out of the way to make room for tall items

- **Advanced water filtration uses XWF replacement filter**

Reduces trace pharmaceuticals from water and ice* (* Removes 98% of ibuprofen, atenolol, fluoxetine, progesterone and trimethoprim. These pharmaceuticals are not necessarily in all users' water)

Approx. Product Dimensions (WxHxD) (in.)

35 3/4 in x 69 7/8 in x 35 7/8 in

Refrigerators: Café Style



CAFÉ REFRIGERATOR STAINLESS

Café™ ENERGY STAR® 27.8 Cu. Ft. French-Door Refrigerator with Hot Water Dispenser
CFE28TP2MS1

- **Cozy up with a hot cup of tea anytime**

Steep a relaxing herbal tea or prepare light & fluffy couscous with an adjustable hot water dispenser that provides precise temperatures and measurements

- **You're always in control, wherever you are**

Use your voice or smart device to preheat water from your refrigerator while you relax in another part of the house

- **Guarantee a just-right fill**

Whether you're filling a water bottle or adding water to a recipe, dispense an exact amount with just a touch by using the Precise Fill setting

Approx. Product Dimensions (WxHxD) (in.)

35 3/4 in x 69 7/8 in x 36 1/4 in