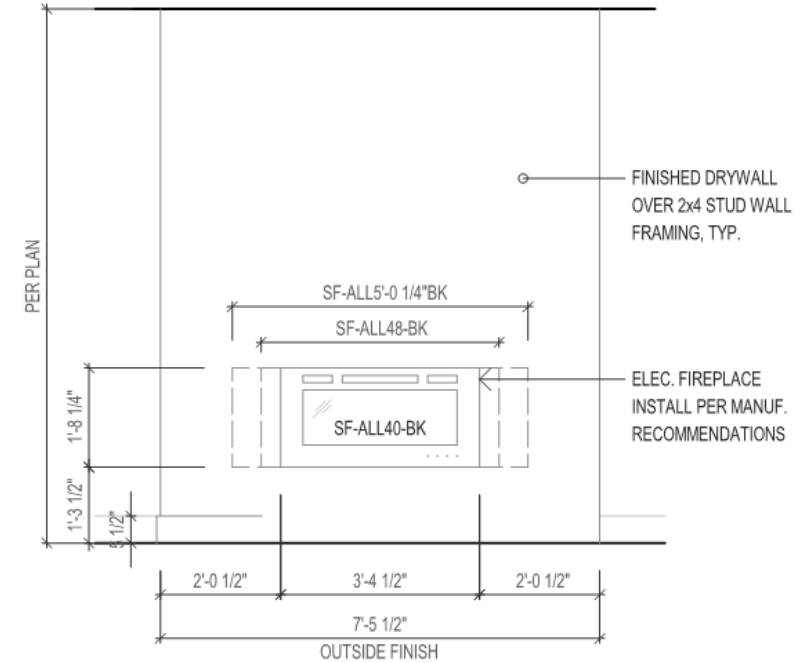


A modern kitchen featuring a white marble island with a grey veined pattern, dark wood cabinetry, and a white fireplace wall. The kitchen includes a double oven, a refrigerator, and a sink. Two modern pendant lights hang over the island. The text "FIREPLACE DETAILS" is overlaid in the center.

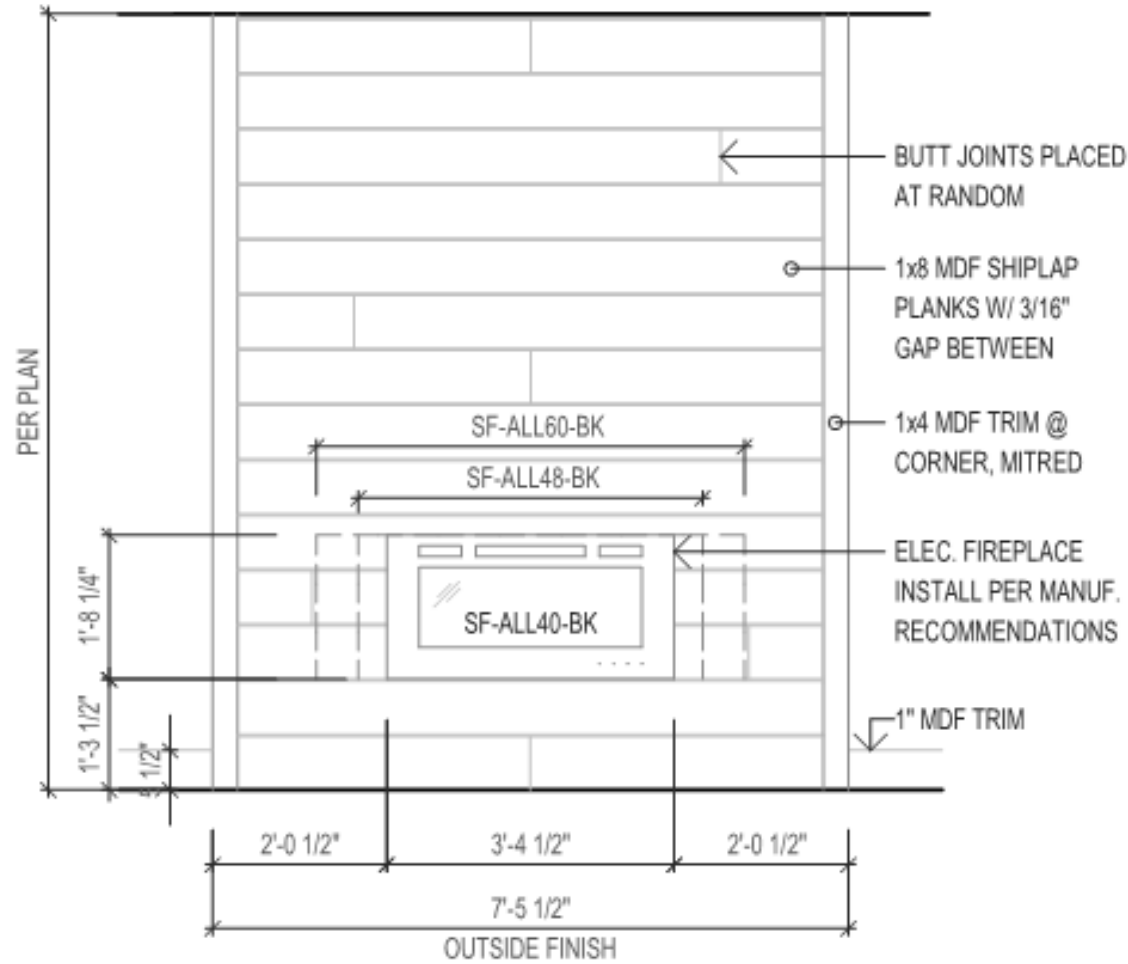
FIREPLACE DETAILS

Fireplace: Electric with Flat Drywall



ELEVATION VIEW

Fireplace: Electric with Shiplap

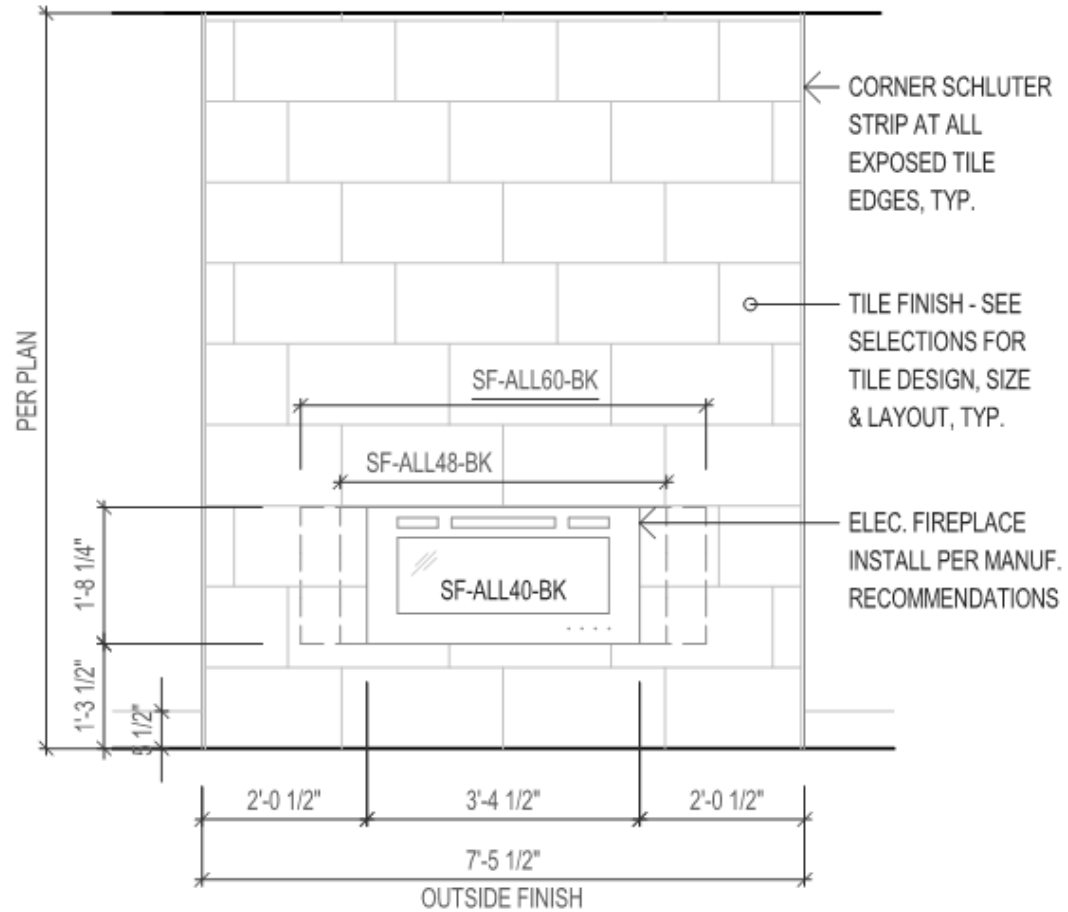


ELEVATION VIEW



Shiplap Finish is for Electric Fireplaces Only. Paint Grade. (Floating mantel not included)

Fireplace: Electric with Tile



ELEVATION VIEW

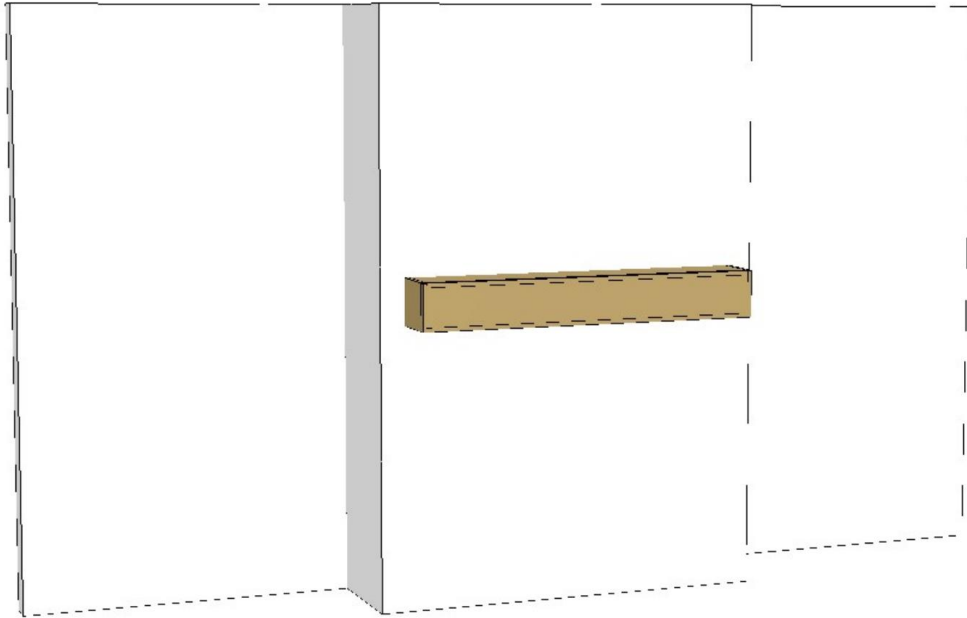


Floor to Ceiling Tile Finish is for Electric Fireplaces Only.

Fireplace: Block Mantel Up to 72"



VH BLOCK MANTEL UP TO 72"



*Floating Mantel is Available for Drywall,
Shiplap or Tile Electric Fireplaces. Paint & Stain
Finishes Available

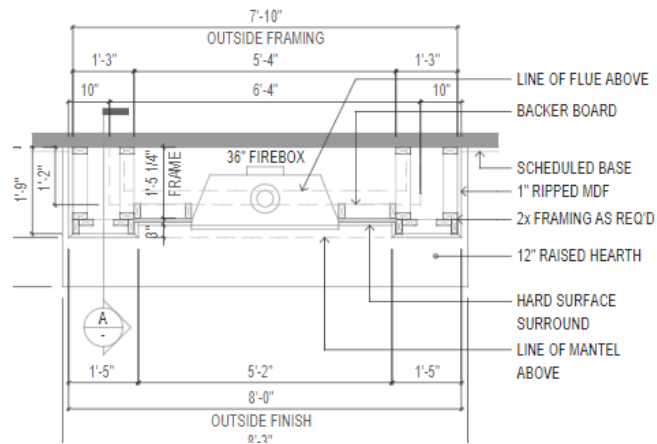
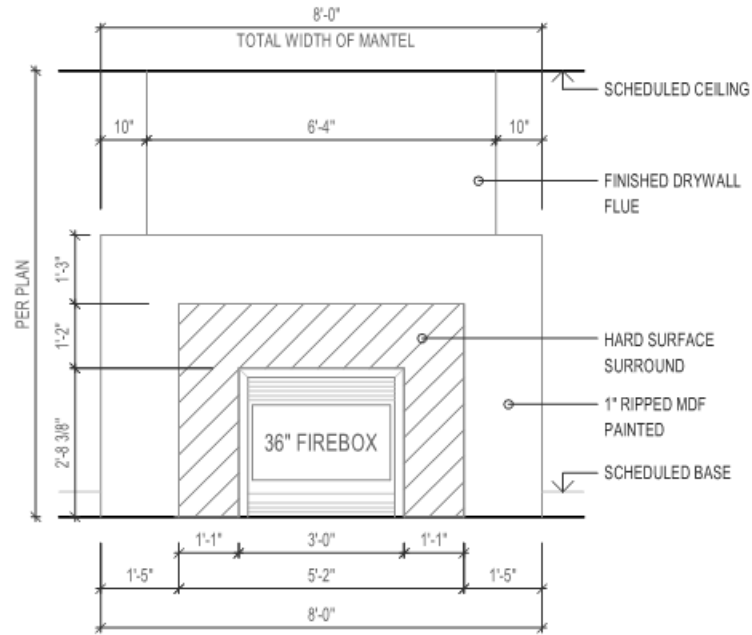
Fireplace: Electric Inserts



Allusion 50" Flush Mount Electric
4 Flame Color Themes

Gas Fireplaces

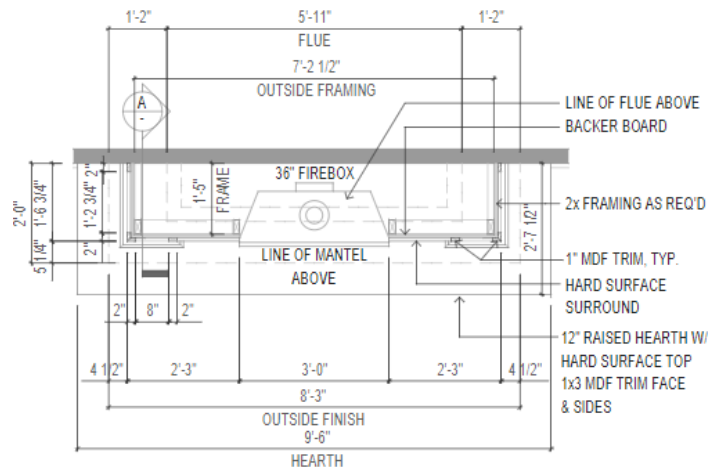
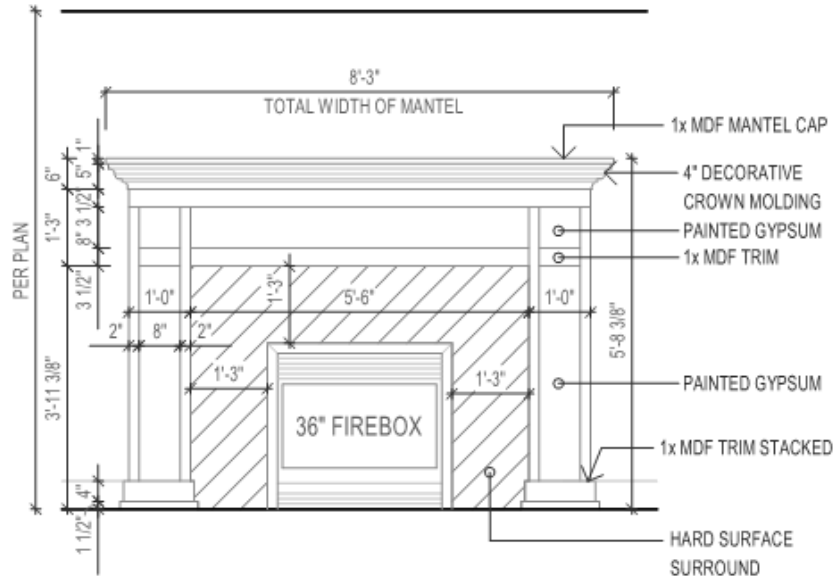
Gas Fireplace Mantels: Contemporary 1



CONTEMPORARY 1 VTR & DV FIREPLACE

DV- Direct Vent- When Fireplace is on Exterior Walls
 VTR- Vent Through Roof- When Fireplace is on Interior Walls

Gas Fireplace Mantels: Traditional 2



TRADITIONAL 2 DV & VTR FIREPLACE

DV- Direct Vent- When Fireplace is on Exterior Walls

VTR- Vent Through Roof- When Fireplace is on Interior Walls

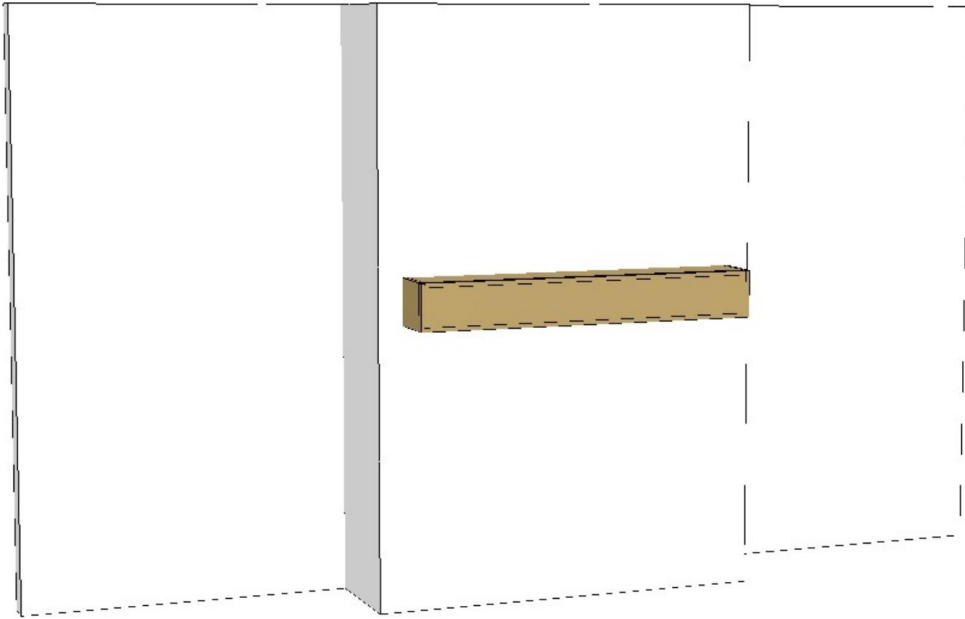
Gas Fireplace Mantels: Trim Out



TRIM OUT- DV & VTR FIREPLACE
Drywall Finish
(Pop-out Goes from Floor to Ceiling)
4" MDF Trim Around Firebox
DV- Direct Vent- When Fireplace is on Exterior Walls
VTR- Vent Through Roof- When Fireplace is on Interior Walls

Fireplace: Block Mantel Up to 72"

VH BLOCK MANTEL UP TO 72"



*Floating Mantel is Available for TRIM OUT Gas Fireplaces Only. Paint & Stain Finishes Available. (Not available for Traditional 2 or Contemporary 1 Gas Fireplaces)

Fireplace: Gas Inserts



Included 36" Firebox 18,000 BTU